



General Information

Ruby bearings and a non-drag pickoff give these adjustable insertion flow sensors the widest flow range of any of the paddlewheel types. A sensor detects the passage of miniature magnets in the six rotor blades. The resulting square-wave signal can be sent for hundreds of feet without a transmitter, over unshielded cable. This signal can be connected directly to many PLC's and other controls without any additional electronics.

Installation fittings are standard 1-1/2" or 2" NPT. A depth adjustment system allows two basic sizes to cover pipe sizes from 2" to 48". Fittings such as saddles and weldolets may be purchased locally, and are also available from SeaMetrics.

A modular system of electronics can be installed directly on the flow sensor, in a splashproof cast housing. The FT415/420 provide digital rate and total display, as well as programmable pulse. The FT420 also provides a 4-20 mA analog output. The AO55 is a blind analog transmitter. Programmable pulse for pump pacing comes from the PD10. Each of these controls is also available in a wall mount housing.

Specifications

Sensor

Hall Effect Sensor 12 VDC current sinking pulse

Materials

Sensor Brass, 316 SS, PVC
 Rotor PVDF
 Shaft Nickel-bound tungsten carbide or zirconia ceramic optional
 Bearings Ruby

Range

0.3 - 30 FPS (0.1 - 9 M/s)

Accuracy

± 1-1/2% FS

Maximum Pressure

PVC 150 psi @ 75° F (10 bar)
 Brass & SS 200 psi (14 bar)

Insertion Force

0.44 X pressure in pipe

Pipe Size

IP 101 3"-10" (50-250mm)
 IP 201 10"- 48" (250-1200mm)

Temperature

PVC 130° F (55° C) @ 0 psi
 Brass & SS 200° F (93° C)

Fitting Size

PVC 2" NPT
 Brass & SS 1-1/2" NPT

Power

5-24 VDC 1.5mA

Nominal K-factor

11 Hz/ FPS (3.6 Hz/M/s)

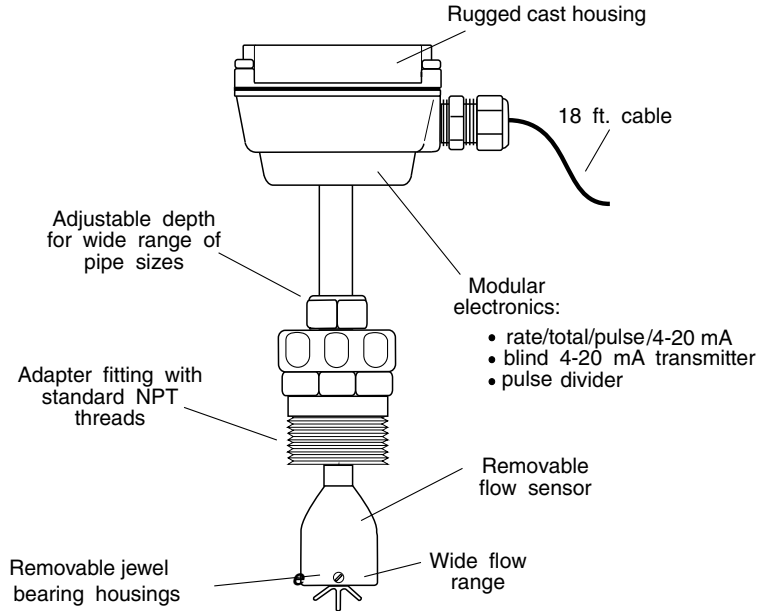
Cable

#22 AWG 3-con, 18' (6m)

Maximum Cable Run

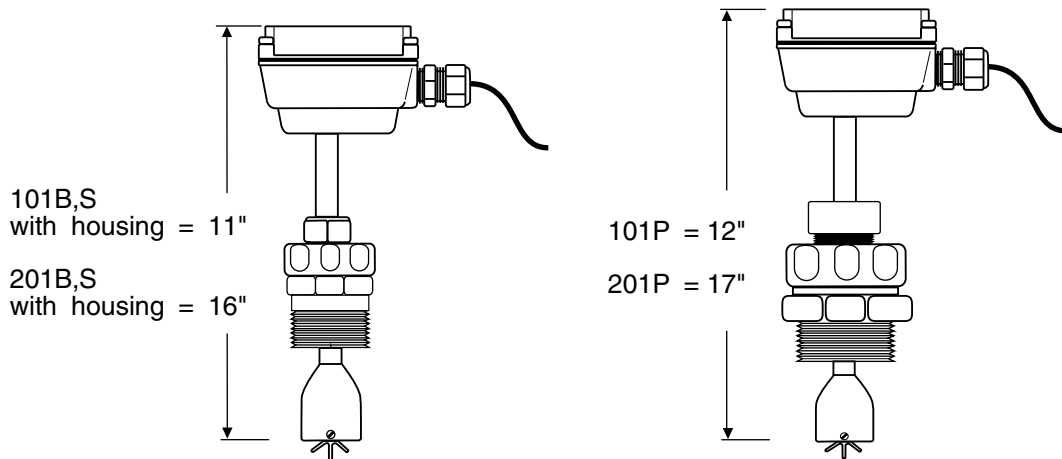
2,000' (650m)

Features



Pipe Size	Flow Range (GPM)	
	Min Flow	Max Flow
2	3	300
3	7	700
4	12	1,100
6	30	2,500
8	50	4,500
10	75	7,000
12	100	10,000
16	175	16,000
24	400	35,000

Dimensions



How To Order

Material code: P = PVC, B = Brass, S = (316 SS)
 Option Code

IP101 - _____ - _____
 IP201 - _____ - _____

- Option Codes
- 01 Ceramic shaft
 - 03 Bidirectional flow (Hall-Effect only)
 - 06 LMI connector
 - 07 SeaMetrics connector



19026 72nd Ave S, Kent WA. 98032 USA
 Phone: 253-872-0284 Fax: 253-872-0285
www.seametrics.com 1-800-975-8153