



### General Information

This unique system of 2" to 6" turbine meters uses one moving part, a precision-molded helical rotor. Rotation of the rotor is electronically detected and processed. High-quality jewel bearings and polished zirconia ceramic shafts minimize friction while providing long wear life in non-lubricating fluids. The entire rotor assembly can be easily removed for field service.

WT-P bodies are fabricated from Schedule 80 PVC fittings. Turbine rotors are Kynar (PVDF).

An electronic register can be mounted on the meter to display flow rate, total (resettable or non-resettable) and provide programmable pulse output. The same unit, in a wall mount or panel mount housing, can be located up 2,000 feet away. Other electronics options (which can again be meter or remote mounted) are the AO55 blind 4-20 mA transmitter, the PD10 divider, and a battery-powered (FT415) rate meter/totalizer for applications which lack power.

### Specifications

#### Materials

Meter Body	PVC Schedule 80 fittings
Turbine Insert	PVC (Polypro in 2" size)
Turbine Rotor	Kynar (PVDF)
Shafts	Zirconia ceramic
Bearings	Sapphire journal, ruby ball

**Maximum Pressure** 150 psi @ 75° F  
(10 bar @ 24° C) (see chart)

**Max. Temperature** 120° F (50° C) (see chart)

**Accuracy** ±1% FS

#### Flow Range

Gallons Per Minute

	2"	3"	4"	6"
Minimum	2	3	6	12
Maximum	150	400	600	1200

Liters Per Minute

	2"	3"	4"	6"
Minimum	8	11	23	46
Maximum	568	1514	2271	4542

### Electronic Options Specifications

#### WT100 (Pulse Only)

Power	6-24 VDC
Pulse Type	Current sinking

#### WT101

Power	11-24 VDC, 20 mA max
Rate	8-digit autorange
Total	8-digit, selectable decimal
Memory	Non-volatile (no battery needed)
Pulse Output	0.1 second, open collector
Analog Option	4-20 mA, user-programmed

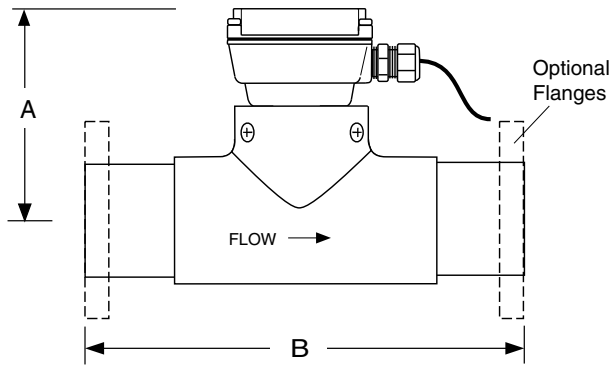
#### WT102 (AO55 Blind Transmitter)

Output	4-20 mA
Loop Power	12 - 36 VDC (isolated)
Accuracy	± 1%
Response Time	3 seconds, 95% FS

#### WT104 (Battery-powered Rate/Totalizer)

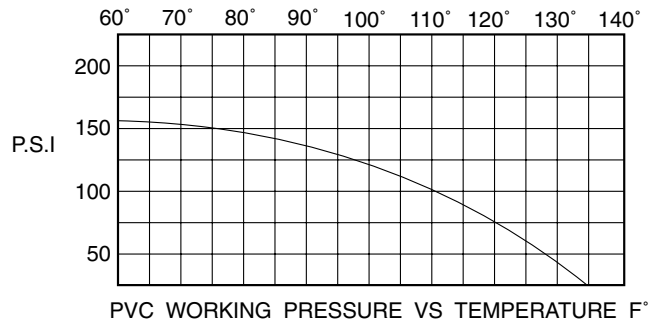
Rate/Total	2-Line LCD resettable, with lockout
Battery Life	3 Years
Pulse Output	0.1 second, open collector

## Dimensions



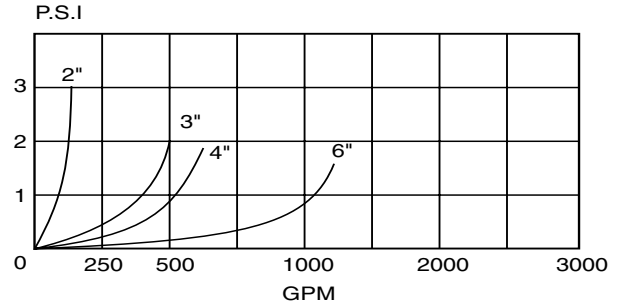
Meter size	A	B
2"	7.5"	10"
3"	6.5"	12"
4"	7"	14"
6"	8.5"	18"

Note: flange option face-to-face dimension is the same as plain ends ("B").

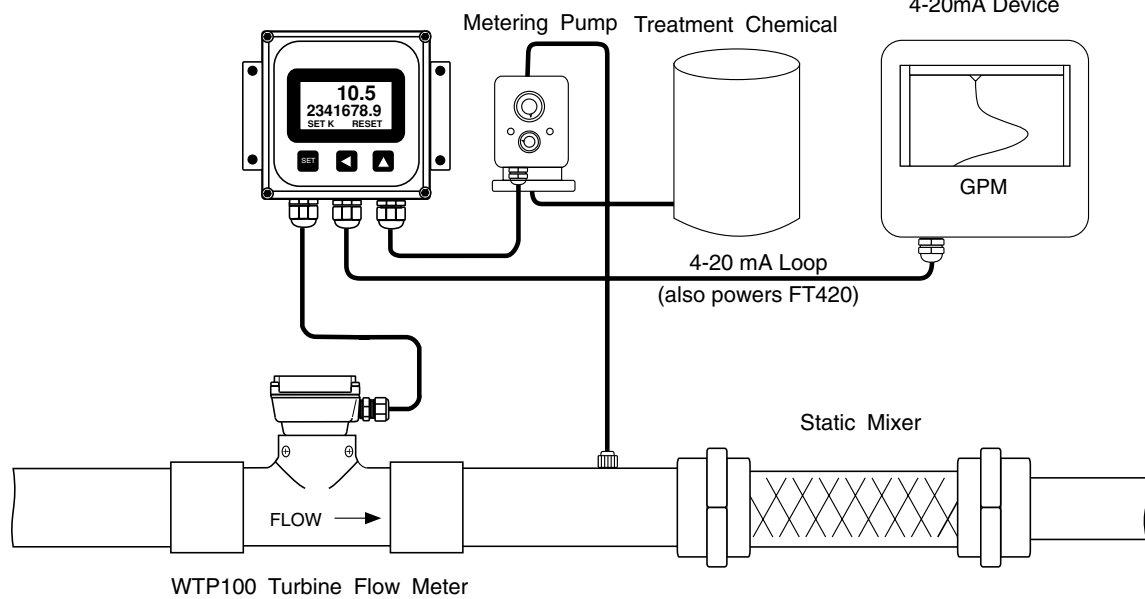


PVC WORKING PRESSURE VS TEMPERATURE F°

Pressure Loss Chart



FT 420W Flow Computer



WTP100 Turbine Flow Meter

## How To Order

Size: 200=2", 300=3", 400=4", 600=6"

Option Code: (see options to right)

**WTP100-** \_\_\_\_\_ - \_\_\_\_\_  
**WTP101-** \_\_\_\_\_ - \_\_\_\_\_  
**WTP102-** \_\_\_\_\_ - \_\_\_\_\_  
**WTP103-** \_\_\_\_\_ - \_\_\_\_\_

Option Codes:

**18** Flanged ends  
**04** Micropower sensor

# SeaMetrics

19026 72nd Ave S, Kent WA. 98032 USA  
 Phone: 253-872-0284 Fax: 253-872-0285  
[www.seametrics.com](http://www.seametrics.com) 1-800-975-8153