

STANDARD CONFIGURATION		
ITEM NO.	DESCRIPTION	QTY.
1	3 PUMP SHELF BASE	1
2	LID, 3 PUMP SHELF	1
3	PLEXIGLASS WINDOW, 11-3/4" X 23-1/2" X 1/8"	1
4	NO. 6 X 1/2" FLAT HEAD SCREW	12
5	LID PROP, Ø1/2" X 25-3/8", FIBERGLASS	1
6	1/4"-20 X 3/4" SCREW, FLAT HEAD, SS	6
7	SINGLE PUMP PLATE, 29-1/4" X 12" X 1/2"	1
8	HINGE ROD, Ø1/4" X 20-1/2", ALUM	1
9	1/4" AXLE NUT (CAP NUT), ALUM.	2
10	2" FNPT SPIN WELD FITTING, PE, BLACK	4
11	2" MPT PLUG, PE, BLACK	4
12	ANGLE BRACKETS, ALUM, 1-1/2" X 1-1/2"	4
13	WASHER	4
14	1/4"-20 X 5/8" PHILLIPS PAN HEAD, SS	4
15	1/4" FLAT WASHER, SS	2
16	1/4"-20 X 1-1/2" PHILLIPS ROUND HEAD, SS	2
17	1/4" NPT THREADED HEX SOCKET PLUG, HDPE, BLACK	2
18	1/4" FNPT FLUSH SPIN WELD FITTING, PE, BLACK	2
19	MOLD-IN GRAPHIC	1

PCS 3.0	PART NUMBERS	
	BLUE	NATURAL
STANDARD	253-30843	253-30844
W/ DIVIDER*	253-29460	253-29458

\*SEE OPTIONAL FEATURES, SHEET 2

**DETAIL C  
SCALE 1 : 4**

**DETAIL A  
SCALE 1 : 4**

- NOTES:**
- MATERIAL:** LLDPE 8460, **COLOR:** , **FINISH:** SHOT PEEN
  - PART WEIGHT:** APPROX. 58 LBS.

**PROPRIETARY AND CONFIDENTIAL**  
 THE INFORMATION CONTAINED IN THIS DRAWING IS THE SOLE PROPERTY OF PEABODY ENGINEERING. ANY REPRODUCTION IN PART OR AS A WHOLE WITHOUT THE WRITTEN PERMISSION OF PEABODY ENGINEERING IS PROHIBITED.

UNLESS OTHERWISE SPECIFIED:  
 DIMENSIONS ARE IN INCHES  
 TOLERANCES:  
 FRACTIONAL ± 1/8"  
 ONE PLACE DECIMAL ± .25"  
 TWO PLACE DECIMAL ± .125"  
 THREE PLACE DECIMAL ± .063"

TANK MATERIAL:  
**LLDPE 8460**

INNER TANK S/N:  
 OUTER TANK S/N:  
 CUSTOMER PO#

DO NOT SCALE DRAWING

	NAME	DATE
DRAWN	RFR	01/03/14
CHECKED		
ENG APPR.		
MFG APPR.		
Q.A.		
COMMENTS:		

PROJECT: <b>3 PCS PUMP SHELF</b>		
CUSTOMER: <b>PEABODY STANDARD</b>		
SITE/LOCATION:		
DRAWING#: <b>SEE TABLE</b>		
SIZE	DESC.	REV.
<b>B</b>	<b>PCS 3.0 STANDARD</b>	<b>E</b>
SCALE: 1:12		SHEET 1 OF 3

8 7 6 5 4 3 2 1

**OPTIONAL ITEMS**

ITEM NO.	DESCRIPTION	QTY.
1	CONTROLLER MOUNT PLATE (OPTIONAL), LG, 10-7/16" X 8-3/4" X 1/4"	1
2	WEATHER STRIP GASKET SEAL (SHIPPED LOOSE)	1
3	DIVIDER SHIELD, 1/4" (OPTIONAL, FOR USE WITH TWO PUMP PLATES)	1
4	PUMP PLATE, LG, 19" X 12" X 1/2" (OPTIONAL, FOR USE WITH DIVIDER SHIELD)	1
5	PUMP PLATE, SM, 9-1/2" X 12" X 1/2" (OPTIONAL, FOR USE WITH DIVIDER SHIELD)	1
22	2" MPT PLUG, PE, BLACK	4
23	1/4"-20 X 1-1/2" SECURITY BUTTON HEAD, SS	2

D

C

B

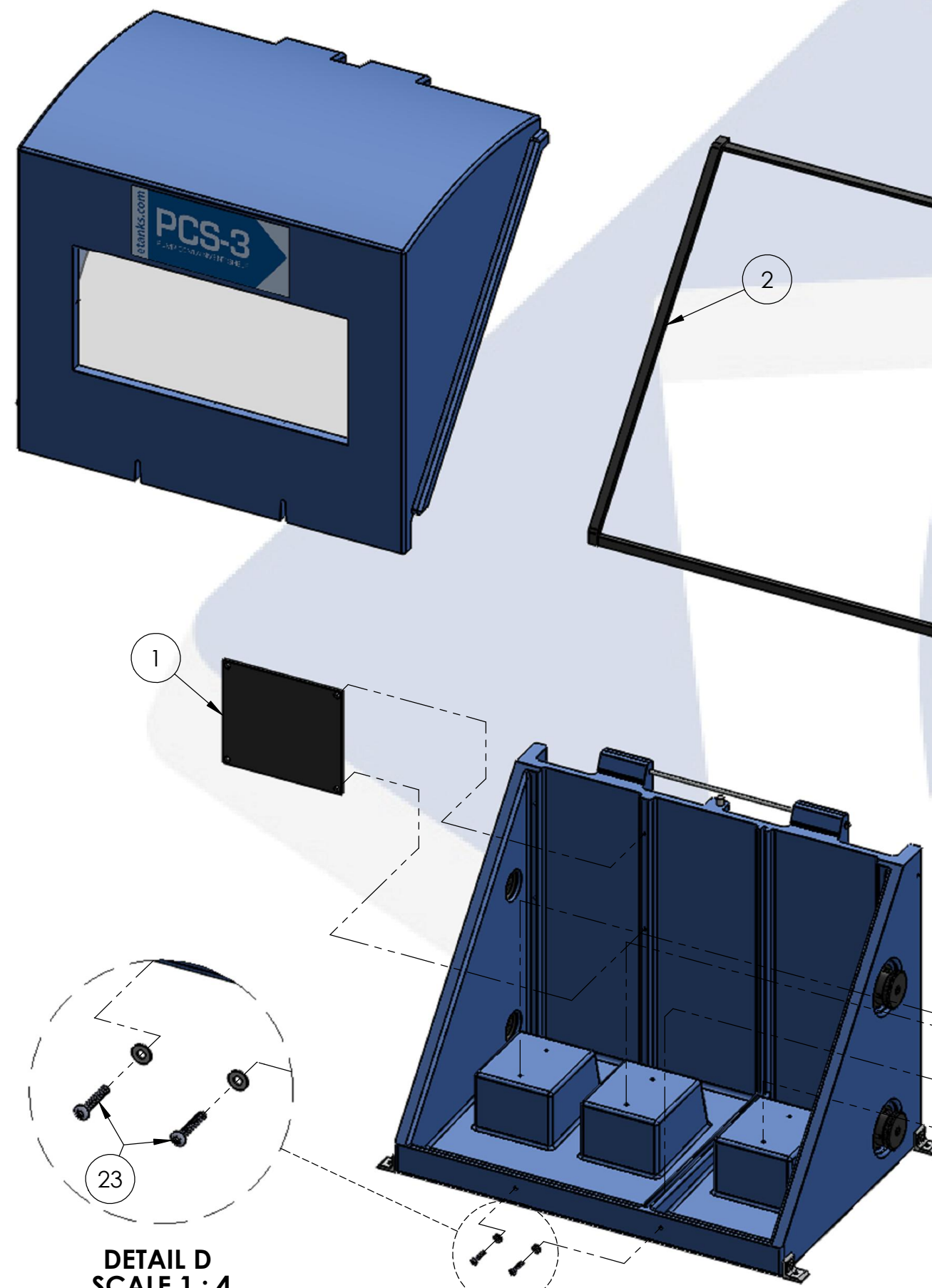
A

D

C

B

A



**DETAIL D  
SCALE 1 : 4**



PROJECT:  
3 PCS ASSY, REV. E, CUSTOMER PRINT

SCALE: 1:10

SHEET 2 OF 3

8 7 6 5 4 3 2 1

