

# TX2000 pH/mV Transmitter



## Specifications

|                                 |   |
|---------------------------------|---|
| <b>Measuring Range (pH)</b>     | -2.00 to 16.00pH, 0.01 pH resolution  |
| <b>Measuring Range (ORP/mV)</b> | -1999mV to 1999mV, 1mV resolution, +/- 1mV accuracy   |
| <b>Temperature Range</b>        | -30 °C to 130 °C, 0.1 °C resolution, 0.2 °C accuracy  |
| <b>Calibration Mode</b>         | AnyTech & NIST buffers up to 2 points   |
| <b>Analog Output 1</b>          | 0/4 -20mA, corresponding to pH or ORP output. Max load 500 Ω.   |
| <b>Analog Output 2</b>          | 0/4 -20mA, corresponding to temperature output. Max load 500 Ω  |
| <b>Voltage Output</b>           | DC +/- 12V, 1W max  |
| <b>Set-Points</b>               | Contact : 240V AC, 5A max<br>Activate: 2 setpoints Hi/Low, On/Off                                       |
| <b>Wash Setting</b>             | Contact : 240V AC, 30V DC 5.0A max<br>On :0-9999 seconds /Off: 0-9999 hours                             |
| <b>Enclosure</b>                | NEMA 4X IP65, with push-button control pad. HWD: 96 mm (3.78") x 96 mm (3.78") x 132mm (5.20"), 1/4 DIN |
| <b>Panel Cut-Out</b>            | 93mm (3.66") x 93mm (3.66")   |
| <b>Weight</b>                   | approx. 0.50kg (1.1lb)  |
| <b>Mounting Options</b>         | Panel or Wall mount   |
| <b>Ambient Temperature</b>      | 0 °C to 50 °C   |
| <b>Temperature Compensation</b> | NTC 30K or Pt1000 RTD with automatic compensation or manual   |
| <b>Power Requirement</b>        | 100-240V AC +/- 10%, 9W max., 50/60 Hz  |
| <b>Input Impedance</b>          | >10 <sup>12</sup> Ω   |

**2 each Voltage isolated (500 V) 4-20mA Outputs (pH or ORP and Temperature)**

**2 adjustable Hi/Lo relays and contacts**

**Large LCM display indicates pH or mV and Temperature simultaneously**

**NEMA 4X, IP65 enclosure**

**Sample averaging to enhance stability**

The TX2000 pH/mV is a full-featured pH or ORP controller. Simply power up your TX2000 with 110-240V AC power and you get a controller with a wide range of useful features: 2 relays, 1 wash control, 2 each 4-20mA outputs (pH & Temp or ORP & Temp).

Calibration is easy using maximum of 3 Tech or NIST buffers and can be password protected with a programmable security code.

Mounting choices include: wall or panel with all fittings included.

The large LCM display has auto-sense backlight and contrast setting function. Text and graphic illustrations provide user-friendly operation.

## Ordering Information

### Model

|        |   |
|--------|---|
| TX2000 | pH/ORP Controller requires 110-240V AC power. 2 Relays, 2 each 4-20mA outputs, Wash control and more, 1/4 DIN enclosure |
|--------|---|

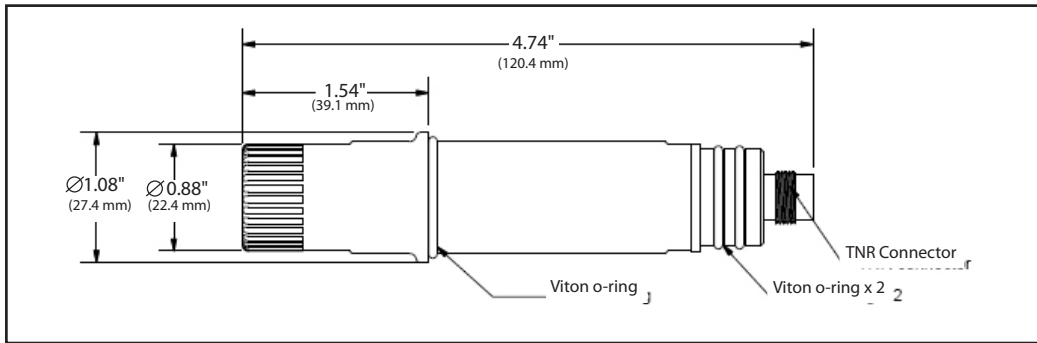
### Accessories

|      |  |
|------|--|
| B107 | pH 7.00 buffer, 1 pint U.S.              |
| B104 | pH 4.01 buffer, 1 pint U.S.              |
| B110 | pH 10.00 buffer, 1 pint U.S.             |
| B225 | Zobell Solution, ORP standard 225mV+/-5% |
| C110 | pH/ORP checker/simulator                 |

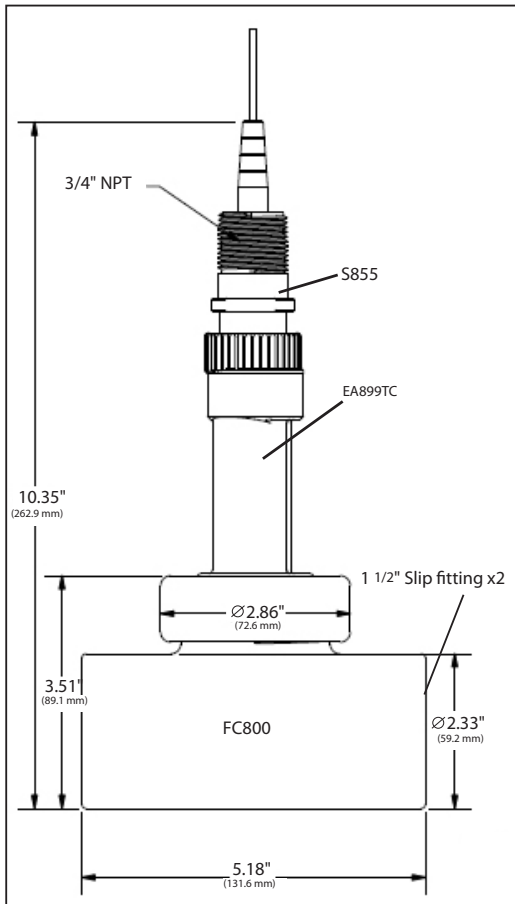
**Pair any of these pH and ORP electrodes with your TX3000:**

**S8000 Modular pH and ORP Seies**

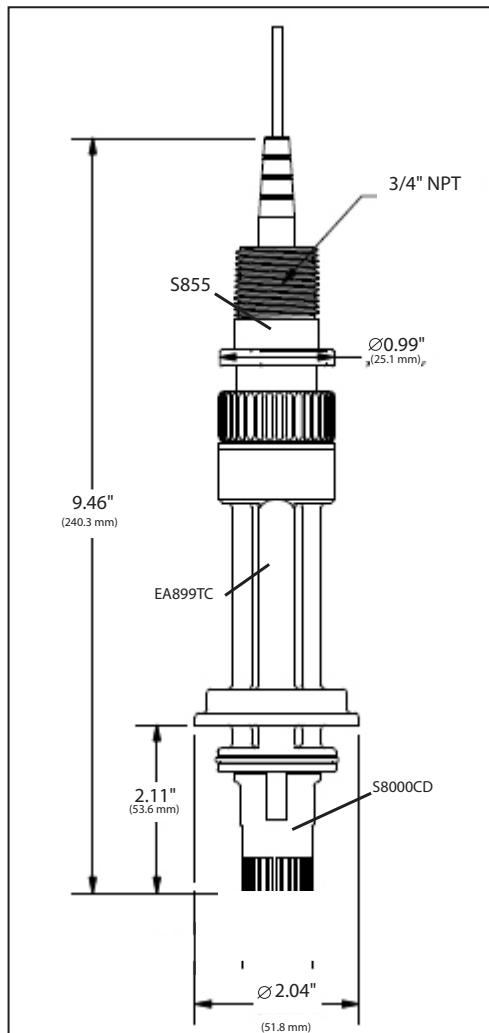
**S8000CD, S8000CDHF, S8000CD-ORP, S8000CD-LC**



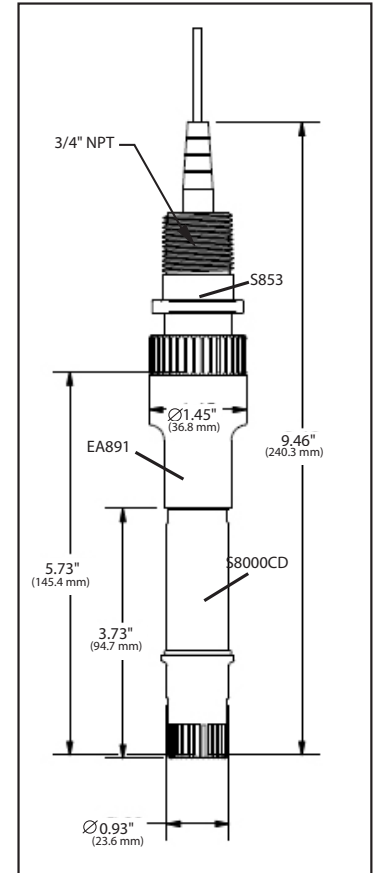
**S8000CD + EA899TC  
+ S855 + FC800**



**S8000CD + EA899TC + S855**



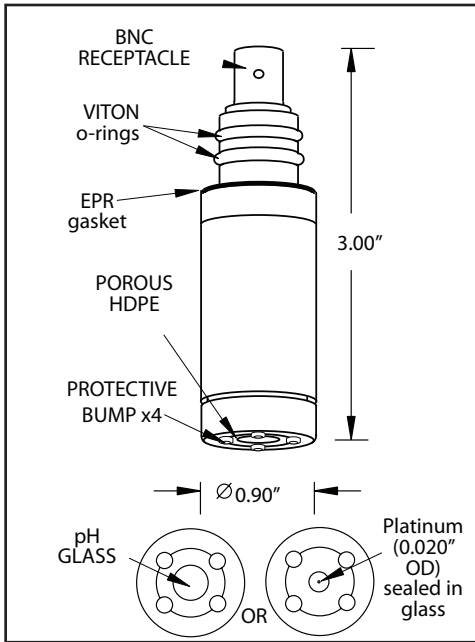
**S8000CD + EA891 + S853**



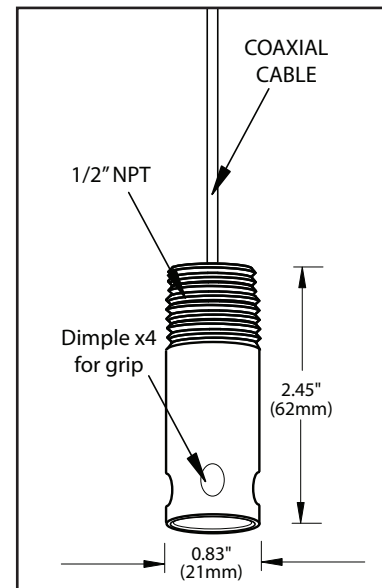
## Pair any of these pH and ORP electrodes with your TX3000:

Insertion/Wet-Tap Assmblly S675, electrode cartridge S656CD

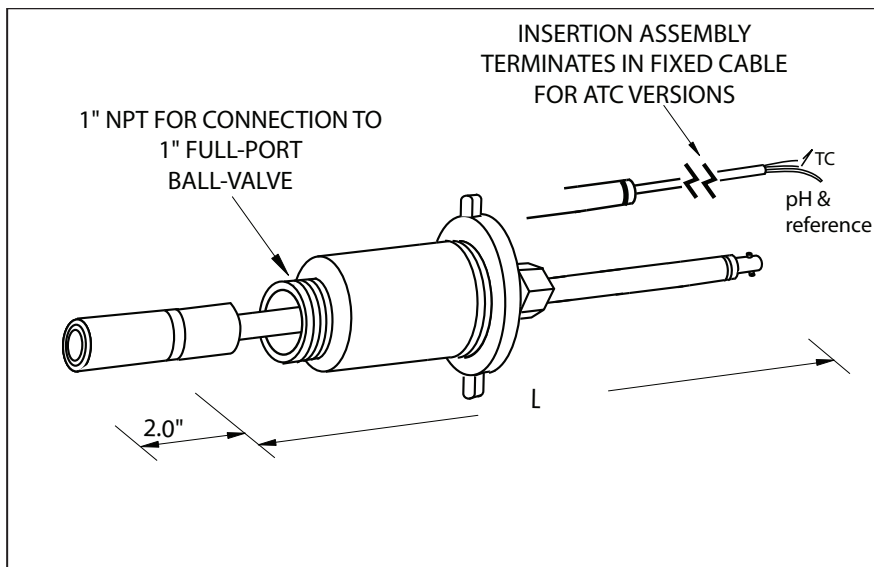
**S656CD and S656CD-ORP**



**CPVC CABLES WITH CONDUIT CONNECTION (NO ATC) - S653**



### CPVC pH and ORP Insertion Assemblies ( With and Without ATC) -S675, S675TC

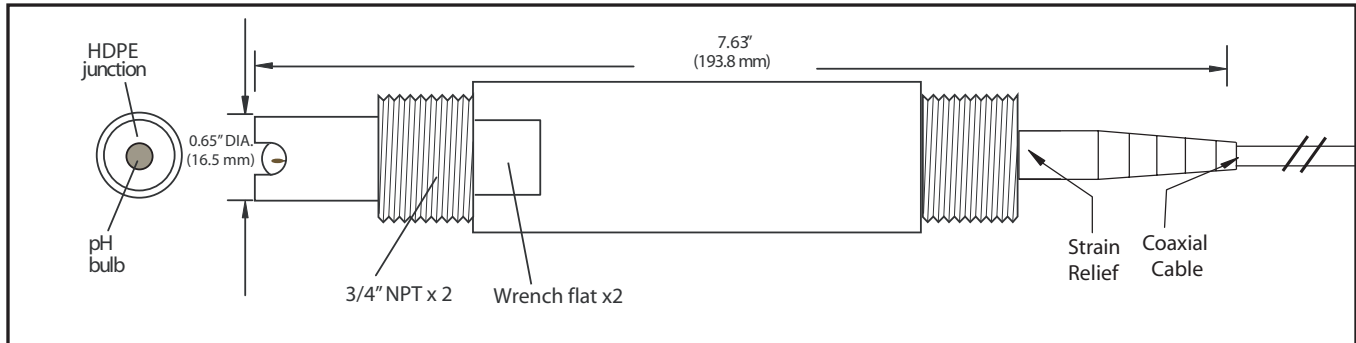


| Model No.    | L(inches) |
|--------------|-----------|
| S675, S675TC | 18        |
| S676, S676TC | 24        |
| S677, S677TC | 30        |

## Pair any of these pH and ORP electrodes with your TX3000:

Convertible Submersion or In-Line pH & ORP Electrodes in durable PPS bodies

### S271CD



### S272CD & S272TC

