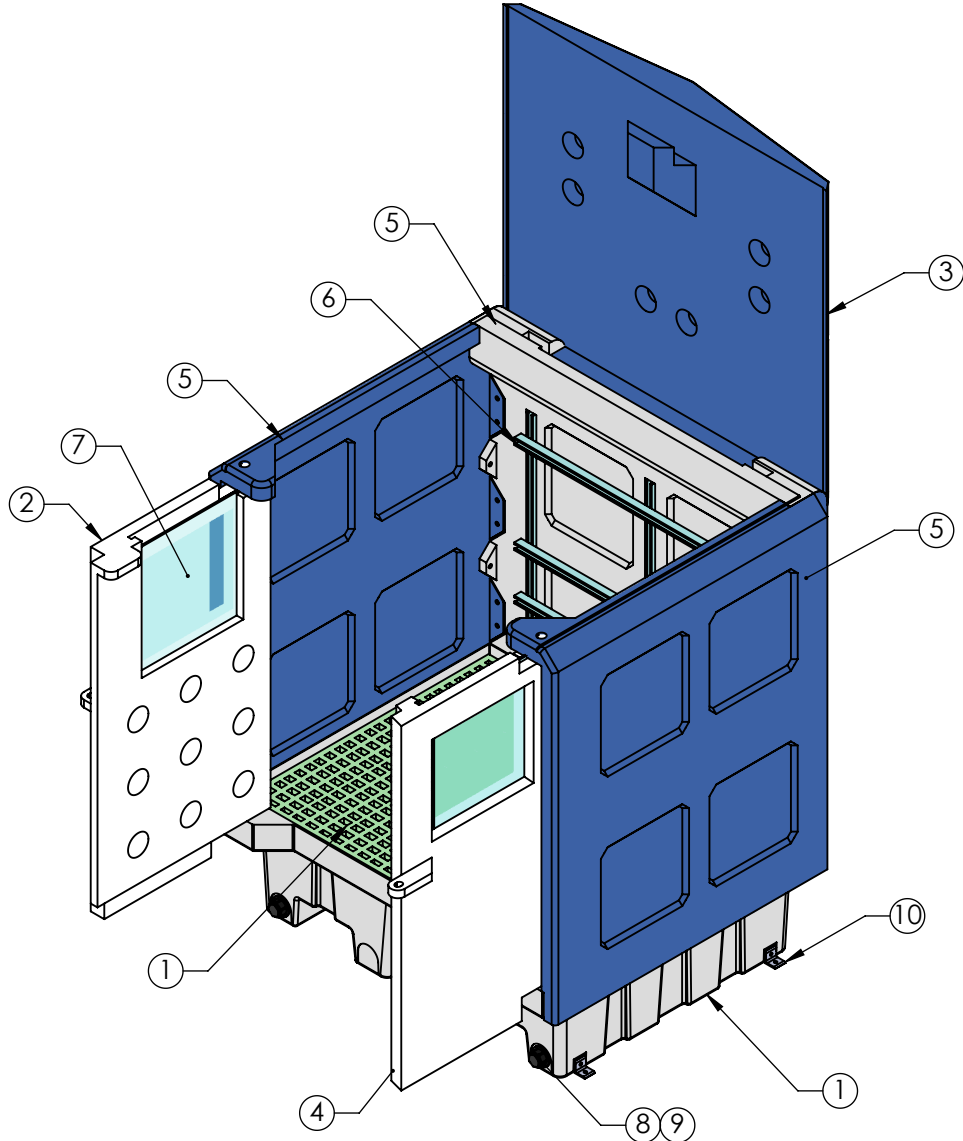
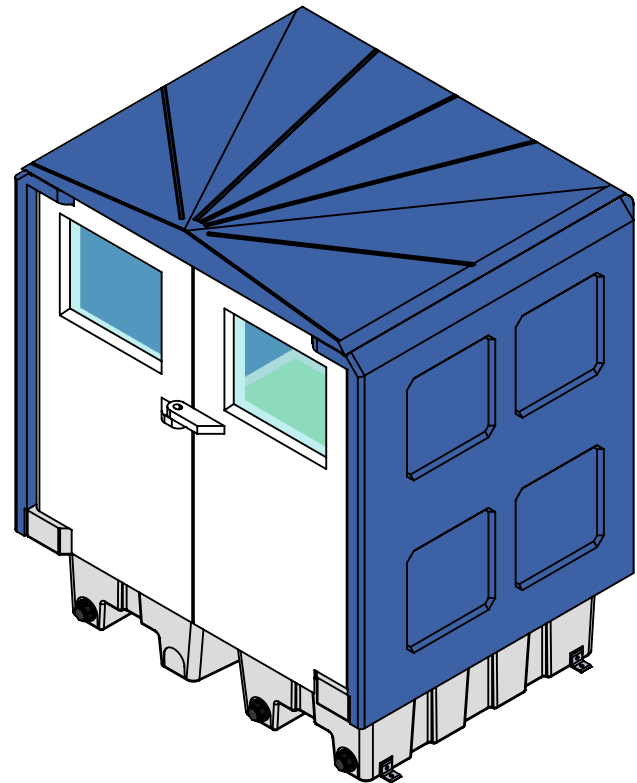


8 7 6 5 4 3 2 1

D
C
B
A



TOP LEVEL BOM		
ITEM NO.	DESCRIPTION	QTY.
1	PCS PLUS 4 BASE	1
2	PCS PLUS 4 LEFT DOOR	1
3	PCS PLUS 4 LID	1
4	PCS PLUS 4 RIGHT DOOR	1
5	PCS PLUS 4 SIDEWALLS	1
6	UNISTRUT	1
7	PLEXIGLASS WINDOW	2
8	1" FNPT SPIN WELD, DOUBLE ENDED THREAD, BLACK	3
9	Ø1" PLUG, MPT, PE, BLACK	3
10	MOUNTING CLIPS	4

- NOTES:**
- CAPACITY: 66 GAL. NOMINAL
 - APPROXIMATE WEIGHT: 324 LBS
 - TANK MATERIAL: LLDPE W/ UV INHIBITOR
 - SERVICE PRESSURE: ATMOSPHERIC

PROPRIETARY AND CONFIDENTIAL
 THE INFORMATION CONTAINED IN THIS DRAWING IS THE SOLE PROPERTY OF PEABODY ENGINEERING. ANY REPRODUCTION IN PART OR AS A WHOLE WITHOUT THE WRITTEN PERMISSION OF PEABODY ENGINEERING IS PROHIBITED.


UNLESS OTHERWISE SPECIFIED:
 DIMENSIONS ARE IN INCHES
 TOLERANCES:
 FRACTIONAL ± 1/8"
 ONE PLACE DECIMAL ± .25"
 TWO PLACE DECIMAL ± .125"
 THREE PLACE DECIMAL ± .063"

TANK MATERIAL:
LLDPE

INNER TANK S/N:
 OUTER TANK S/N:
 CUSTOMER PO#

DO NOT SCALE DRAWING

	NAME	DATE
DRAWN	NRG	5/12/20
CHECKED		
ENG APPR.		
MFG APPR.		
Q.A.		
COMMENTS:		



PROJECT: **PCS PLUS 4**

CUSTOMER: **PEABODY STANDARD**

SITE/LOCATION: **CORONA, CA**

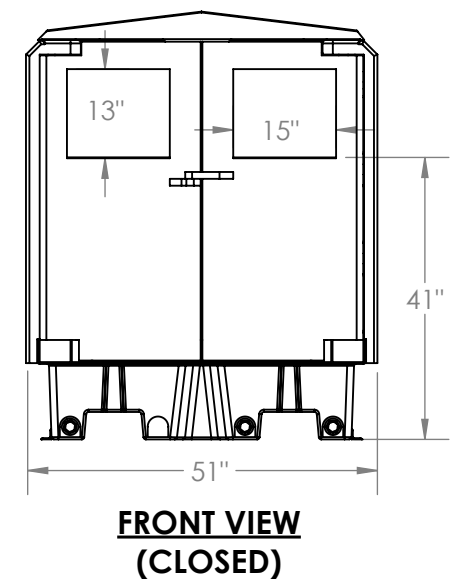
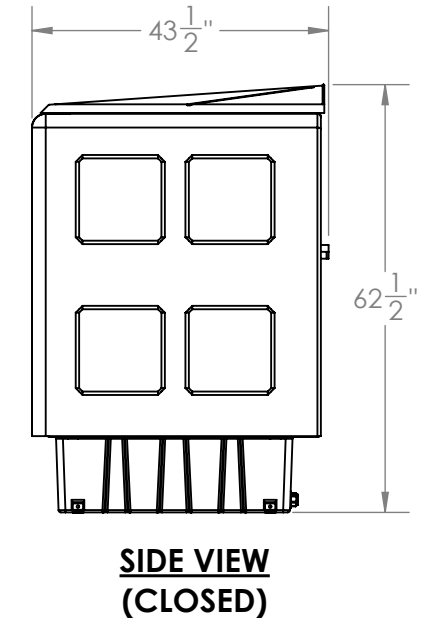
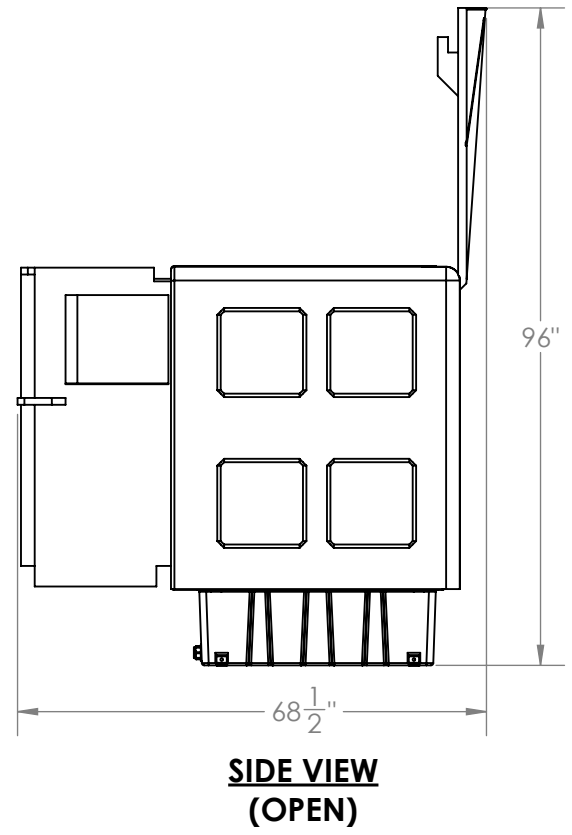
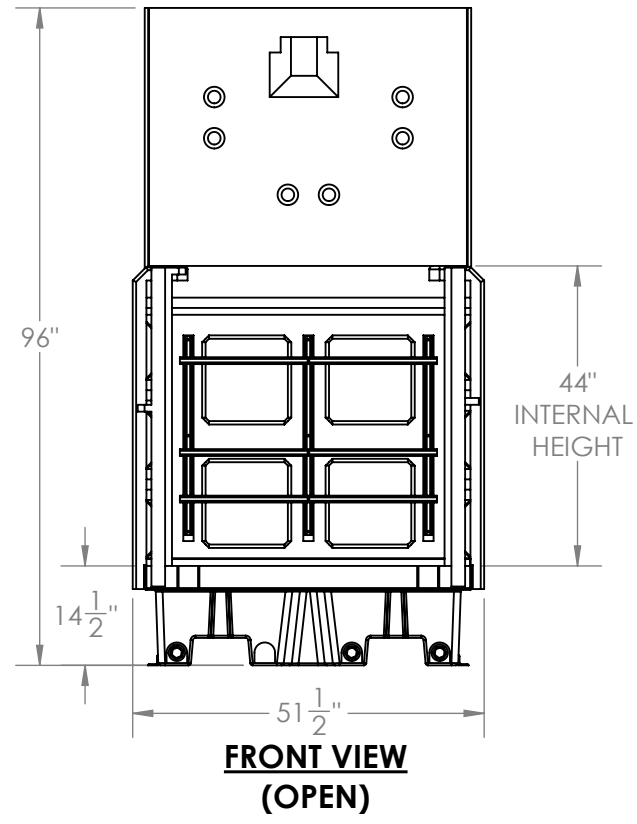
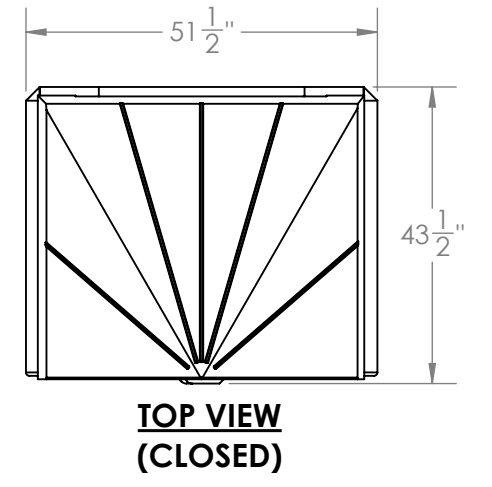
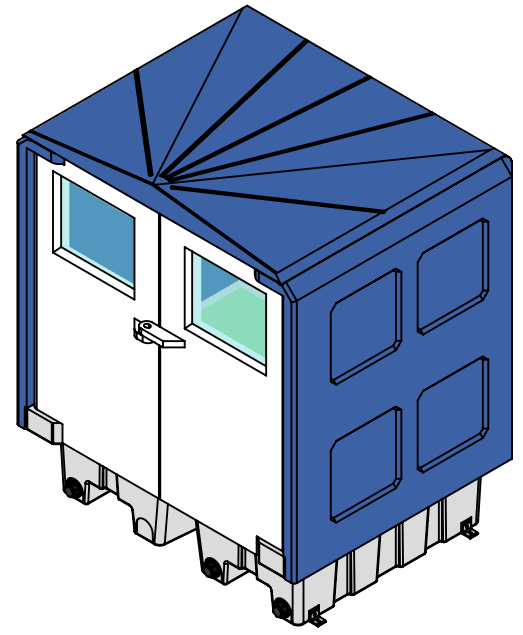
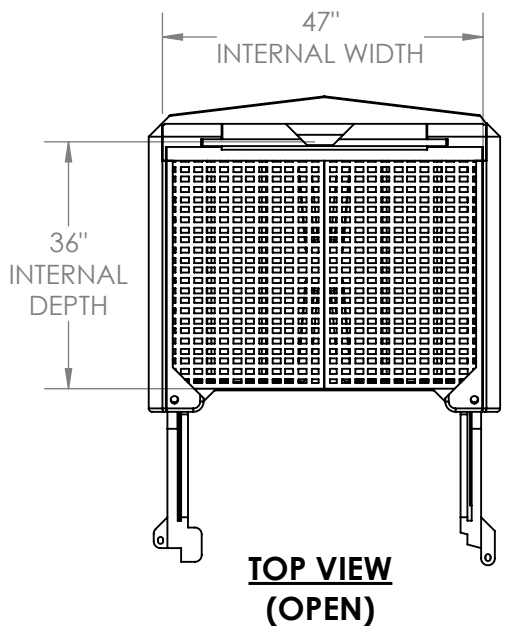
DRAWING#: -

SIZE	DESC.	REV.
B	-	-

SCALE: 1:20

SHEET 1 OF 2

8 7 6 5 4 3 2 1



PROJECT: PCS PLUS 4 Customer print
 SCALE: 1:28 REV. - SHEET 2 OF 2